

## [Feature]

- Installation method: aluminum rail and wall hanging.
- Suitable for high humidity and harsh environments(IP68).
- Analog input/output and digital input/output can be selected according to different optional models.
- Analog input types: 4-20mA, 0-5V, PT100.
- Analog output types: 4-20mA,0-5V,0-20mA,0-10V
- Multiple communication interfaces: RS485\*2 (one set can be switched to RS232) and one set of Ethernet.

- IP68 waterproof wall-mounted



- Aluminum rail type

**[Applications]** Medical refrigerators, plant factories, environmental measurement, and data collection.

## [Optional Code]

E - Code 1 - Code 2

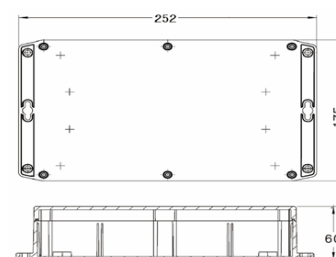
Code 1	Signal type	Code 2	Installation method
N168	Base plate	A	Aluminum rail type
AI 168	AI * 6 CH		
DI 168	DI *10 CH	I	IP68 waterproof wall-mounted
AO 168	AO *6 CH		
DO 168	DO* 6 CH		

## [Specifications]

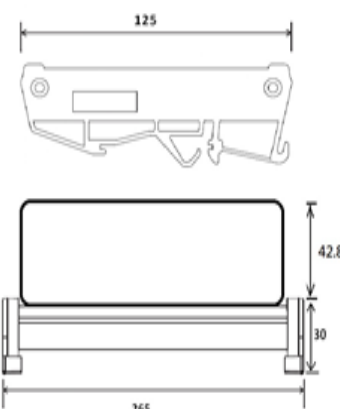
Installation method	Aluminum rail type	IP68 waterproof
Power supply	Adaptor	◆AC input:100 ~ 240V(50/60Hz) ◆DC output: 12V maximum current 2A
	Equipment	◆DC input: 9~36V ◆Power consumption: 2.7W
Alarm output	Control output points	1 group
	Relay contacts	10A/250VAC ※Please add a relay to connect the load
Communication function	Communication interface	RS-485/RS-232
	Communication protocol	Modbus RTU
	Ethernet interface	RJ-45 Ethernet channel has Web Service function and protocol Modbus TCP

## [Dimensions] Unit:mm

- IP68 waterproof wall-mounted



- Aluminum rail



Signal input (Optional)	Analog Input Points (AI)	6 groups	
	Input signal	4-20mA or 0-5V (Jump selects electrified), PT100(-100~300°C)	
	Digital input points (DI)	10 groups	
Signal output (Optional)	Analog output points (AO)	6 groups	
	Output signal	4-20mA, 0-5V, 0-20mA, 0-10V, 0-24mA	
	Digital output points (DO)	6 groups	
Physical conditions	Product size (mm)	205x125x72.8(WxHxD)	252X175X60 (WxHxD)
	Installation method	Aluminum rail	Wall-mounted IP68
	Product weight	< 0.7kg	
Safety certification	FCC PART 15B AND CISPR 22 Class B · EN55022:2010:Class B · EN61326-1:2006 · IEC61000-4-2:2008 · IEC61000-4-3:2006+A1:2007+A2:2010		
Patent	R.O.C. Patent No. M345402 · China Patent No. 1211656		